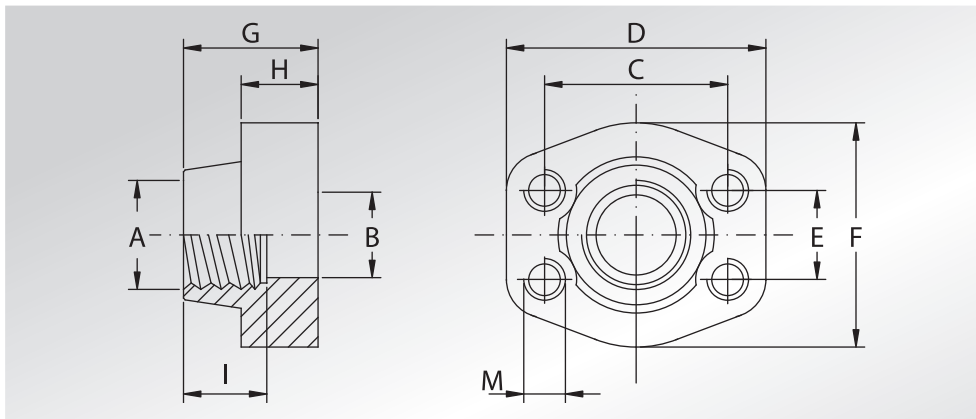


**CONTROFLANGE  
FILETTATE  
NPT**



**NPT  
THREADED  
COUNTER-FLANGES**



Pressione max di esercizio raccomandata Kg/cm <sup>2</sup>	Grandezza	Tipo	Dimensioni										Peso Kg	
			Dimensions											
Maximum recommended working pressure Kg/cm <sup>2</sup>	Size	Type	A	B	C	D	E	F	G	H	I	M	Weight Kg	
<b>SERIE 3000</b>														
345	1/2"	GFS080N	1/2" NPT	13	38,10	57	17,48	46	36	16	19	M8	5/16	0,26
345	1/2"	GFS080N038	3/8" NPT	13	38,10	57	17,48	46	36	16	19	M8	5/16	0,28
345	3/4"	GFS100N	3/4" NPT	19	47,63	65	22,23	50	36	18	19	M10	3/8	0,41
345	3/4"	GFS100N012	1/2" NPT	13	47,63	65	22,23	50	36	18	19	M10	3/8	0,44
345	1"	GFS102N	1" NPT	25	52,37	70	26,19	55	38	18	22	M10	3/8	0,49
345	1"	GFS102N034	3/4" NPT	19	52,37	70	26,19	55	35	21	19	M10	3/8	0,55
276	1"1/4	GFS104N	1"1/4 NPT	32	58,72	79	30,18	68	41	21	22	M10	7/16	0,71
276	1"1/4	GFS104N100	1" NPT	25	58,72	81	30,18	65	42	25	24	M10	7/16	0,85
207	1"1/2	GFS106N	1"1/2 NPT	38	69,85	93	35,71	78	45	25	24	M12	1/2	1,12
207	1"1/2	GFS106N114	1"1/4 NPT	32	69,85	95	35,71	78	45	27	24	M12	1/2	1,24
207	2"	GFS108N	2" NPT	51	77,77	102	42,88	90	45	25	30	M12	1/2	1,24
207	2"	GFS108N112	1"1/2 NPT	38	77,77	102	42,88	90	45	25	26	M12	1/2	1,59
172	2"1/2	GFS110N	2"1/2 NPT	63	88,90	114	50,80	105	50	25	30	M12	1/2	1,66
138	3"	GFS112N	3" NPT	73	106,38	134	61,93	124	50	27	34	M16	5/8	2,37
34	3"1/2	GFS114N	3"1/2 NPT	89	120,65	152	69,85	136	48	27	34	M16	5/8	2,51
34	4"	GFS116N	4" NPT	99	130,18	162	77,77	146	48	27	34	M16	5/8	2,87
34	5"	GFS118N(•)	5" NPT	120	152,40	184	92,08	180	50	28	30	M16	5/8	3,80

<b>SERIE 6000</b>														
414	1/2"	GFS401N012	1/2" NPT	13	40,49	57	18,24	46	36	16	19	M8	5/16	0,26
414	1/2"	GFS401N038	3/8" NPT	13	40,49	57	18,24	46	36	16	19	M8	5/16	0,29
414	3/4"	GFS402N	3/4" NPT	19	50,80	71	23,80	55	35	21	22	M10	3/8	0,55
414	3/4"	GFS402N012	1/2" NPT	13	50,80	71	23,80	55	35	21	22	M10	3/8	0,60
414	1"	GFS403N	1" NPT	25	57,15	81	27,76	65	42	25	24	M12	7/16	0,87
414	1"	GFS403N034	3/4" NPT	19	57,15	81	27,76	65	42	25	24	M12	7/16	0,9
414	1"1/4	GFS404N	1"1/4 NPT	32	66,68	95	31,75	78	45	27	25	M14	1/2	1,21
414	1"1/4	GFS404N100	1" NPT	25	66,68	95	31,75	78	45	27	25	M14	1/2	1,34
414	1"1/2	GFS405N	1"1/2 NPT	38	79,38	112	36,50	94	50	30	28	M16	5/8	1,90
414	1"1/2	GFS405N114	1"1/4 NPT	32	79,38	112	36,50	94	50	30	28	M16	5/8	2,03
414	2"	GFS406N	2" NPT	51	96,82	134	44,45	114	65	37	30	M20	3/4	3,43
414	2"	GFS406N112	1"1/2 NPT	38	96,82	134	44,45	114	65	37	30	M20	3/4	3,92
414	2"1/2	GFS507N	2"1/2 NPT	63	123,80	180	58,70	152	80	45	35	M24	-	6,98
414	3"	GFS508N	3" NPT	73	152,40	208	71,40	178	90	55	40	M30	-	-

**DESIGNAZIONE PER ORDINE  
DESIGNATION FOR ORDER**

**Materiale / Material**

**ST52.3**      **AISI 316L**

Controflangia con fori di fissaggio filettati metrici  
Counter-flange with metric threaded fixing holes

**GFS...N**

**GFX...N**

Controflangia con fori di fissaggio filettati unc  
Counter-flange with unc threaded fixing holes

**GFS...NU**

**GFX...NU**

**NOTE / NOTES**

(•) Solo in ST52.3

(•) Only in ST52.3