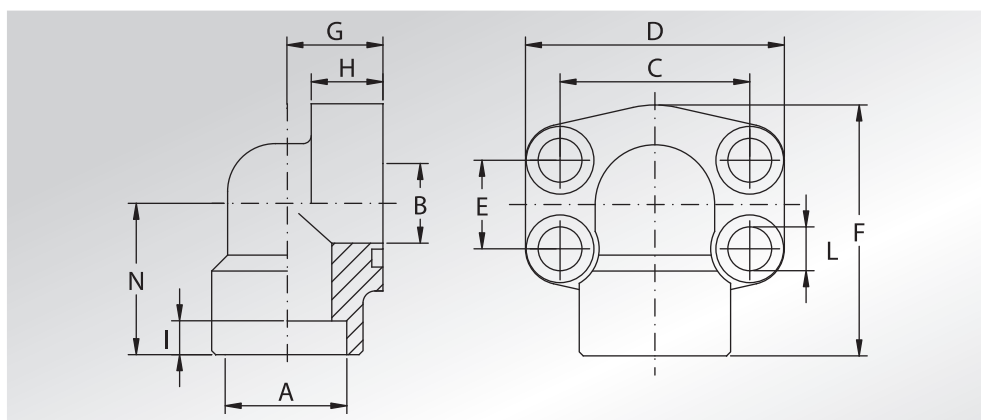




# FLANGE A 90° A SALDARE DI TASCA TUBO METRICO

## METRIC PIPE WELD IN 90° FLANGES



| Pressione max di esercizio raccomandata Kg/cm <sup>2</sup> | Grandezza | Tipo | Dimensioni |   |   |   |   |   |   |   |   |   |   | Viti   |     | Or tipo | Peso Kg   |
|--|-----------|------|------------|---|---|---|---|---|---|---|---|---|---|--------|-----|---------|-----------|
| Maximum recommended working pressure Kg/cm <sup>2</sup>    | Size      | Type | Dimensions |   |   |   |   |   |   |   |   |   |   | Screws |     | Or type | Weight Kg |
|  |           |      | A          | B | C | D | E | F | G | H | I | L | N | Metric | Unc |         |           |

### SERIE 3000

|     |       |              |      |    |       |    |       |    |    |    |    |      |    |        |            |      |      |
|-----|-------|--------------|------|----|-------|----|-------|----|----|----|----|------|----|--------|------------|------|------|
| 345 | 1/2"  | AFS08090SA20 | 20,3 | 13 | 38,10 | 54 | 17,48 | 60 | 20 | 16 | 10 | 9    | 37 | M8x30  | 5/16x1"1/4 | 4075 | 0,28 |
| 345 | 3/4"  | AFS10090SA25 | 25,3 | 19 | 47,63 | 65 | 22,23 | 63 | 24 | 18 | 10 | 11   | 38 | M10x35 | 3/8x1"1/2  | 4100 | 0,45 |
| 345 | 1"    | AFS10290SA30 | 30,3 | 25 | 52,37 | 70 | 26,19 | 70 | 28 | 19 | 12 | 11   | 43 | M10x35 | 3/8x1"1/2  | 4131 | 0,56 |
| 276 | 1"1/4 | AFS10490SA38 | 38,3 | 32 | 58,72 | 79 | 30,18 | 85 | 34 | 21 | 14 | 11,5 | 51 | M10x40 | 7/16x1"3/4 | 4150 | 0,89 |
| 207 | 1"1/2 | AFS10690SA50 | 50,5 | 38 | 69,85 | 93 | 35,71 | 95 | 38 | 25 | 16 | 13,5 | 56 | M12x45 | 1/2x1"3/4  | 4187 | 1,18 |

### SERIE 6000

|     |       |              |      |    |       |     |       |     |    |    |    |      |    |        |            |      |      |
|-----|-------|--------------|------|----|-------|-----|-------|-----|----|----|----|------|----|--------|------------|------|------|
| 414 | 1/2"  | AFS40190SA20 | 20,3 | 13 | 40,49 | 54  | 18,24 | 60  | 20 | 16 | 10 | 9    | 37 | M8x30  | 5/16x1"1/4 | 4075 | 0,28 |
| 414 | 3/4"  | AFS40290SA25 | 25,3 | 19 | 50,80 | 70  | 23,80 | 70  | 28 | 19 | 12 | 11   | 43 | M10x40 | 3/8x1"1/2  | 4100 | 0,69 |
| 414 | 1"    | AFS40390SA30 | 30,3 | 25 | 57,15 | 79  | 27,76 | 85  | 34 | 21 | 14 | 13   | 51 | M12x45 | 7/16x1"3/4 | 4131 | 1,11 |
| 414 | 1"1/4 | AFS40490SA38 | 38,3 | 32 | 66,68 | 93  | 31,75 | 95  | 38 | 25 | 16 | 15 * | 56 | M14x45 | 1/2x1"3/4  | 4150 | 1,45 |
| 414 | 1"1/2 | AFS40590SA50 | 50,5 | 38 | 79,38 | 110 | 36,50 | 110 | 42 | 25 | 18 | 17   | 65 | M16x50 | 5/8x2"     | 4187 | 2,75 |

| DESIGNAZIONE PER ORDINE<br>DESIGNATION FOR ORDER   | Materiale / Material  |                       |
|--|-----------------------|-----------------------|
|  | ST52.3                | AISI 316L             |
| Solo flangia<br>Only flange  | <b>AFS...90SA</b>     | <b>AFX...90SA</b>     |
| Flangia completa di viti metriche, grower e o-ring<br>Flange complete of metric screws, grower type washers and o-ring | <b>AFS...90SA...M</b> | <b>AFX...90SA...M</b> |
| Flangia completa di viti unc, grower e o-ring<br>Flange complete of unc screws, grower type washers and o-ring         | <b>AFS...90SA...U</b> | <b>AFX...90SA...U</b> |

### NOTE / NOTES

\* Per viti unc L=13,5  
\* For unc screws L=13,5

set viti unc disponibili solo in acciaio al carbonio.  
unc screws set available only in carbon steel.